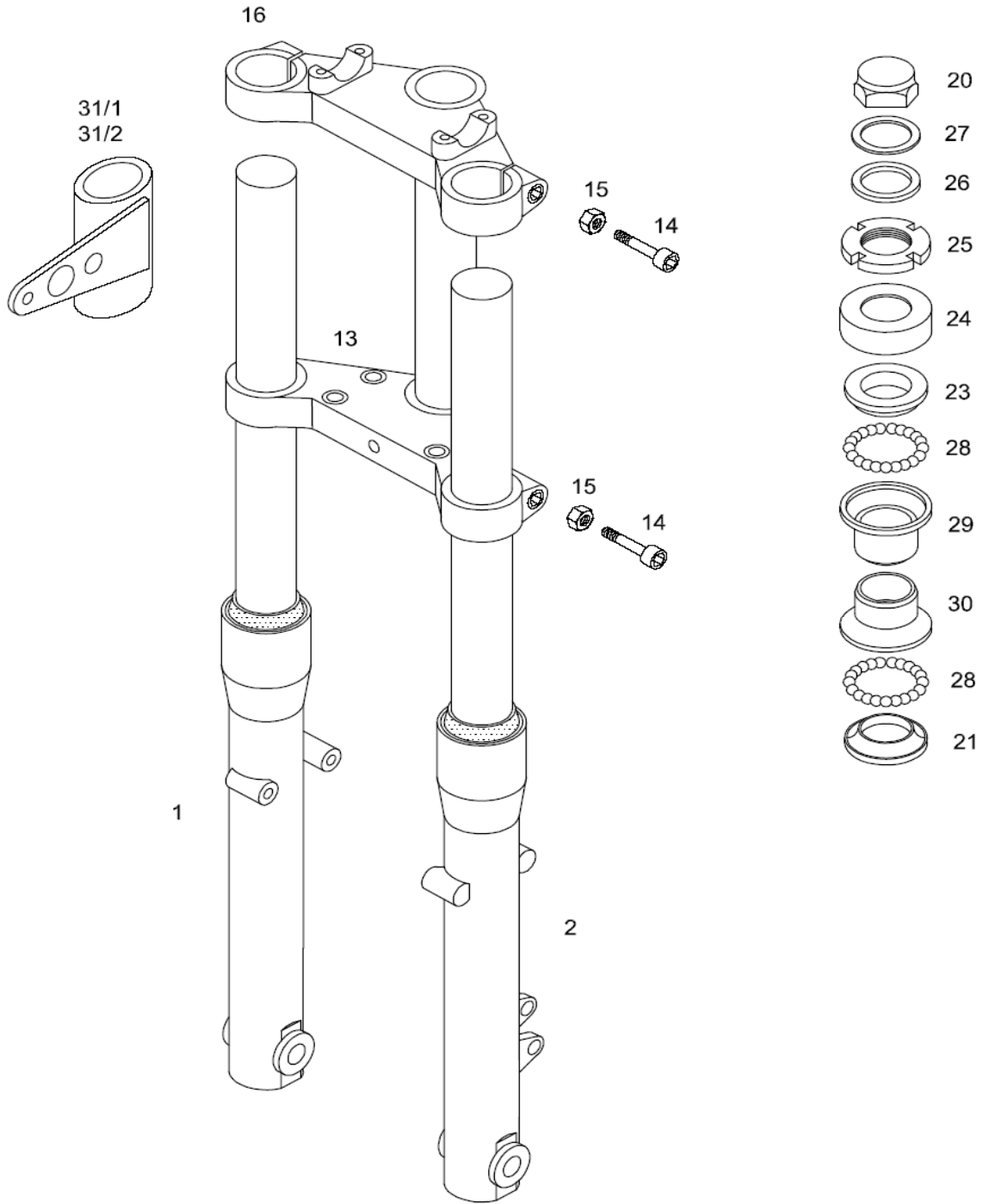
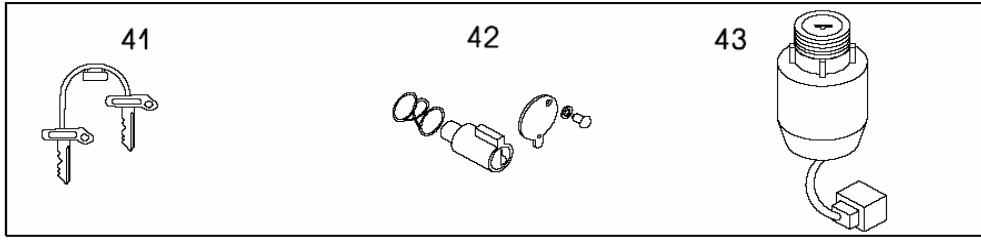


40



**GROUP 11 FRONT FORKS,IGNITION SWITCH.FORK LOCK**

---

| <b>ITEM</b> | <b>*</b> | <b>PART</b>   | <b>DESCRIPTION</b>                   |
|-------------|----------|---------------|--------------------------------------|
| -           |          | 236726        | FRONT FORKS CPL (PARTS 1-21_         |
| 1           | L        | 243141        | RH FORK -PAINTED                     |
| 2           | L        | 243142        | LH FORK -PAINTED                     |
| 13          |          | 243155        | LOWER YOKE                           |
| 14          |          | 243143        | SCREW M8X35                          |
| 15          |          | 030041        | NUT M8(LOCKING)                      |
| 16          | L        | 243144        | UPPER YOKE -PAINTED                  |
| 17          | L        | 243145        | HANDLE BAR CARRIER                   |
| 18          |          | 026646        | SCREW M6X45                          |
| 19          |          | 030040        | NUT M6                               |
| 20          |          | 219349        | CROWN NUT                            |
| 21          |          | 200714        | BEARING CONE                         |
| -           |          | <b>230741</b> | <b>HANDLE BEARING W/ PARTS 21-30</b> |
| 23          |          | 200714        | BEARING CONE                         |
| 24          |          | 200715        | COVER                                |
| 25          |          | 200717        | GROOVED NUT                          |
| 26          | P        | 222848        | WASHER                               |
| 27          |          | 206701        | WASHER                               |
| 28          |          | 044535        | BALL                                 |
| 29          |          | 223155        | BEARING CUP(TOP)                     |
| 30          |          | 223157        | BEARING CUP(BOTTOM)                  |
| 31          |          | 242226        | RH LIGHT HOLDER-PAINTED              |
| 32          |          | 242227        | LH LIGHT HOLDER-PAINTED              |
| 40          |          | 236470        | SET OF LOCKS CPL W/ 41,42,43         |
| 41-42       |          | 233198        | STEERING LOCK W/KEY                  |
| 43          |          | 232896        | IGNITION LOCK W/ KEY                 |

---