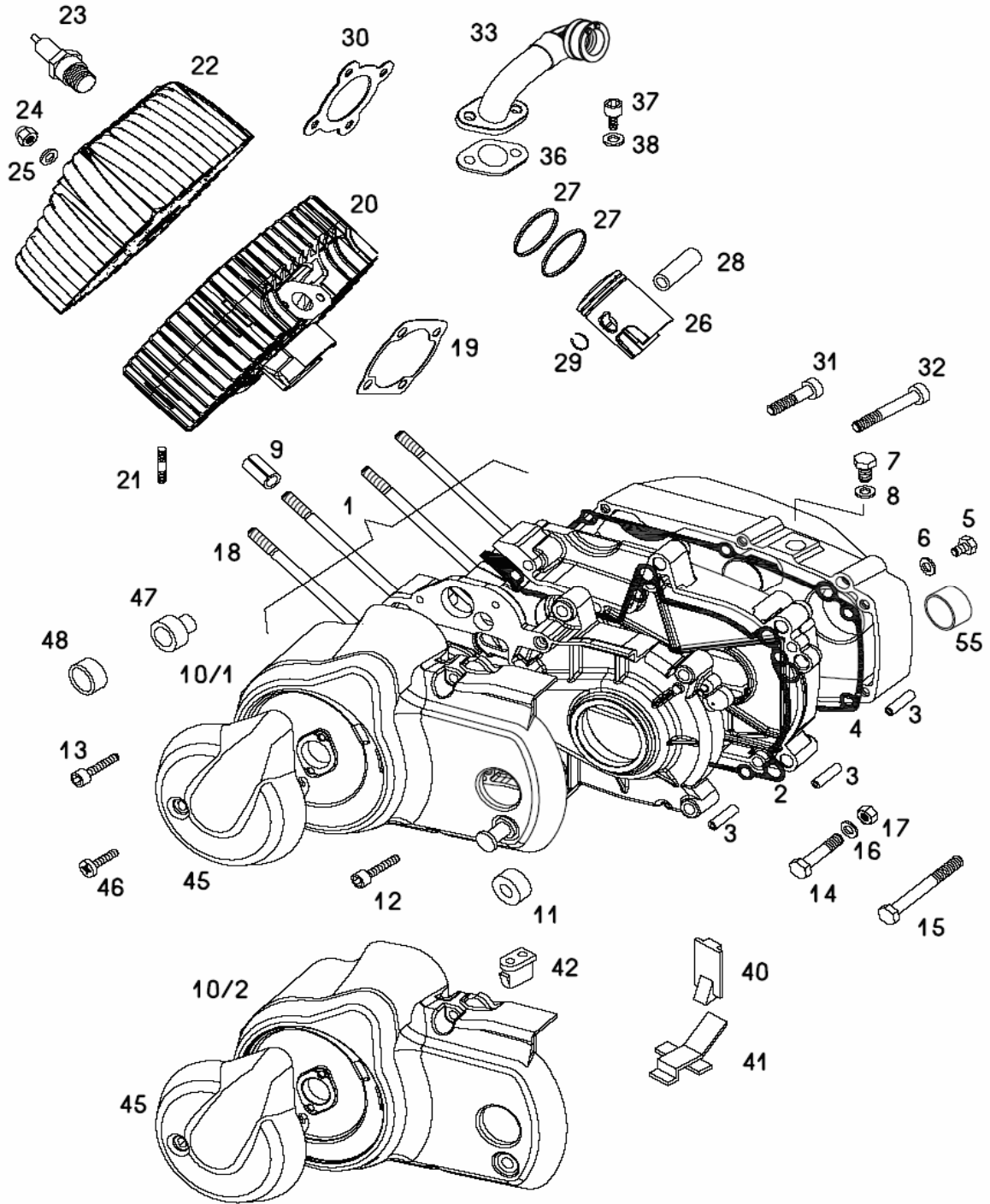


GROUP 1 (CRANKCASE,CYLINDER,PISTON)



**GROUP 1 (CRANKCASE,CYLINDER,PISTON)**

ITEM	* PART	DESCRIPTION
	<b>236829</b>	Engine - Kick
	<b>236828</b>	Engine - Pedal
1	1 230962	Crankcase cpl. - with bearing and gasket -black
1	2 236540	Crankcase right,left and right cover-black for kick imprint nr.55 in crankcase 236540
2	222098	Engine cover gasket
3	223440	Centering bush 9,8X16
4	232971	Transmission cover gasket
5	027264	Screw M6x10
6	230172	Seal ring A6x12
7	026311	Screw M8x10
8	230173	Seal ring A8x14
9	233718	Rubber hose
10	1 <b>230966</b>	Magneto cover kick with pieces 48
10	2 <b>230967</b>	Magneto cover pedal with pieces 48
11	200294	Rubber ring
12	026593	Allen screw M6x35
13	026636	Allen screw M6x40
14	026041	Screw M8x1x70
15	026043	Screw M8x1x80
16	031933	Washer 8
17	030049	Nut M8x1-selflocking
18	233716	Cylinder stud bolt M7xM6x115
19	233714	Cylinder (base) gasket 0,4mm
20	<b>236807</b>	Cylinder with piston S 56-B cpl.
21	208201	Stud bolt
22	233702	Cylinder head
23	044617	Spark plug NGK BR8ES
24	236639	Nut M6
25	031509	Washer 6
26	<b>236805</b>	Piston cpl. A56-D (with parts 27-29)
27	<b>236802</b>	piston ring
28	233762	gudgeon pin
29	233763	Wrist pin 12mm (+0,002,-0,005)
30	233717	cylinder head gasket A56 0,25
31	026573	screw M6x25 (imbus)
32	026582	screw M6x25 (imbus)
33	233721	intake elbow
35	221890	Clamp 20-32
36	233715	gasket intake tube
37	026690	Screw M5x20 (ISO 7380)
38	031932	washer 6
39	227713	screw (homologation)
40	230812	barrier pipe-up
41	230968	barrier pipe-down
42	230811	rubber
45	230792	Oil pump cover (chrome)
46	027271	Screw M5x30
47	230793	crankcase bush
48	230794	cover bush
55	205945	kick cover
	236459	Gasket set cpl. - aA56